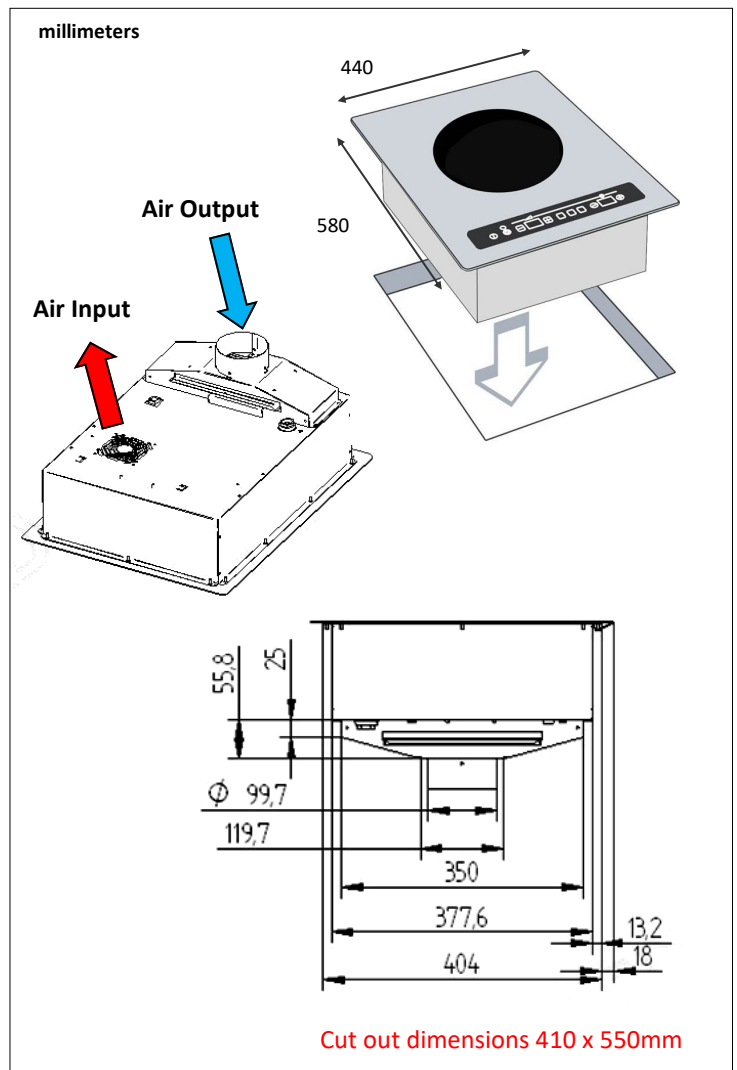


TECHNICAL FEATURES

External structure	AISI 304 stainless steel
Dimensions	580 x 440
Power	7000W
Cooking surface	Vitroc ceramic Wok glass.
Control panel	Capacitive touches control panel
Amp	12A
Functions	On/Off, manual power setting (+/-) with 2 digits display 3 presets Timer control with 2 digits display
Power supply	400V three-phases (works between 320 and 450V / 40 and 70Hz). 440V power supply available on request.
Weight	16 kg kg / 35,3 lbs.
Standards	Complies with European standards for safety of electrical appliances.
Details & Options	Including a power cord and a washable filter (wash regularly). Wok pan included



ADVENTYS
Route de Pagny - 21250 Seurre - France
www.adventys.com
sales@adventys.com
T: +33 3 80 20 46 15

Important note

Adventys reserves the right to modify specifications without notice.